

# VISCOTAQ® Waterproofing System

## Joint Seal for Precast Vaults & More

### Product description

VISCOTAQ® is a non-crystalline a-polar viscous elastic (viscoelastic) solid polyolefin coating for corrosion prevention & waterproofing of underground and aboveground substrates. VISCOTAQ'S® molecular chemistry is unique and designed in such a way that the viscosity gives it permanent wetting characteristics and the elasticity of the product provides the strength and feeling of a solid. The VISCOTAQ® compound bonds to the substrate by means of Van der Waals principals, penetrating the pores and anomalies of the substrate. The coating remains in intimate contact with the substrate creating an impermeable homogeneous corrosion prevention/waterproof coating.

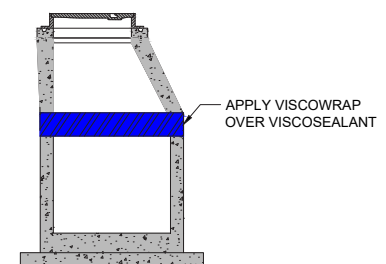
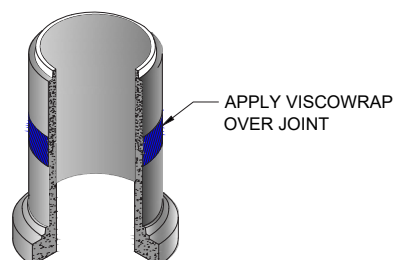
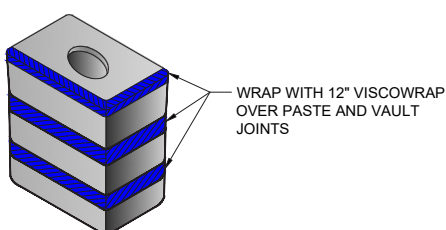
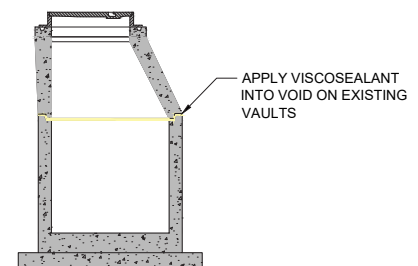
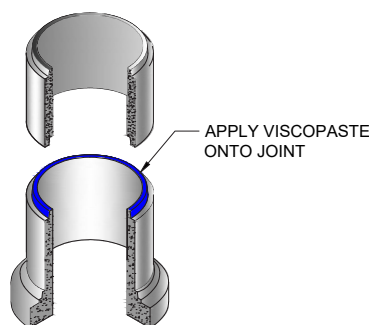
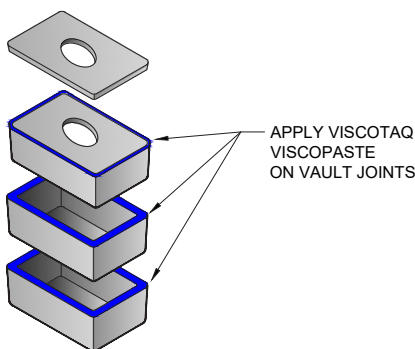
### General information

VISCOTAQ® is designed to bond at a molecular level and create a waterproof seal, it can be used to seal vault sections, cracks, joints and more. A common application is to seal between prefab concrete sections (i.e. manholes, vaults). The VISCOTAQ® Joint Sealing System is based upon the use of the VISCOTAQ® VISCOPASTE in combination with the VISCOTAQ® VISCOWRAP. The system is applied to prevent water infiltration. VISCOTAQ® can be installed on new and existing structures.

- Minimal surface preparation, SP2
- Wide temperature ranges for application
- Easy to apply
- Remains flexible
- Non toxic
- Patented Technology
- Environmentally friendly
- Low glass transition temp
- Compatible with other coatings
- Long lasting synthetic composition
- No primers
- UV Resistant
- Molds and forms easily
- Manufactured under ISO9001 standards
- Made in the USA
- Tested to latest ASTM & CSA standards
- Bonds by means of Van der Waals bonding principals; penetrates the substrate
- Continuous wetting of the substrate (remains in intimate contact with substrate)
- Creates an impermeable/waterproof barrier
- No special requirements for shipping, storage or disposal

### Materials necessary

- VISCOTAQ® VISCOWRAP
- VISCOTAQ® VISCOPASTE
- VISCOTAQ® VISCOSEALANT



### Surface preparation

- Minimum surface preparation should be ST2/ SSPC-SP2 (Hand Tool Clean).
- Once loose materials are removed, clean surface with denatured alcohol or acetone to remove any remaining dust, grease and moisture.
- Surface of the substrate should be 5°F+ above the dew point.
- Keep the working area clean and dry at all times. Avoid the presence of water.
- The adjacent coating should be roughened by means of sand paper or a grinding machine (If applicable).
- Compressed air can be used to dry the concrete substrate and to remove fine dirt and dust
- Heating of concrete may be needed to draw out any moisture in concrete substrate.

### VISCOTAQ® VISCOPASTE

VISCOTAQ® VISCOPASTE is to be applied between concrete prefabricated vault sections during installation. The pressure of the sections will push the VISCOPASTE into place and create a seal. VISCOTAQ® VISCOPASTE is manufactured in multiple thicknesses and widths.

- VISCOTAQ® VISCOPASTE is applied by unrolling the coil and placing the product at desired joint. The VISCOPASTE shall be applied to an area of the substrate to create the maximum seal when the next section is attached.
- Once material is in place, apply slight pressure and remove release liner. The weight of the structure should bond the paste to the concrete and provide a waterproof seal.

### VISCOTAQ® VISCOWRAP

VISCOTAQ® VISCOWRAP is to be applied to the outside of the vault at the seam for additional protection.

- Remove the release liner and place the adhesive side onto the surface.
- Overlap VISCOWRAP a minimum of 2" on each side of the joint. (a 6" or wider rolls is recommended)
- Apply VISCOWRAP with as few air pockets as possible.
- Use a seam roller to add pressure to the VISCOWRAP to advance the adhesion process and ensure the product is properly bonded.

### Sealing existing cracks:

#### VISCOTAQ® VISCOSEALANT

VISCOTAQ® VISCOSEALANT can be used to seal cracks in existing concrete structures.

NOTE: Pneumatic applicator gun is strongly recommended.

NOTE: Heat sealant cartridges to 70°+ prior to application.

- Chip out old and loose concrete to create a favorable surface of adhesion. A void > 3/4" is recommended to ensure adequate surface area for the compound to bond with the substrate. When filling larger cracks a backer rod may be installed to decrease the depth of the fill area. If possible, make repair where positive pressure will be on the ViscoSealant.
- Apply VISCOTAQ® VISCOSEALANT with an applicator gun, pushing the products into the crack as far as possible. Fill cracks minimum 1 inch deep and ensure there are no air pockets.
- Smooth and pack with putty knife.

When crack to be sealed is in an area of negative pressure, the ViscoSealant should be covered/protected with a cementitious grout. A 1/2" of the crack should remain free of sealant to allow for cementitious material. For applications of positive pressure, use VISCOTAQ® VISCOWRAP or EZ WRAP as previously mentioned in the prior section.



Amcorr Products & Services  
 San Antonio, TX  
 United States of America  
 Toll free : 877-586.3710(USA only)  
 E-mail : info@amcorrusa.com  
 Web : www.amcorrusa.com

